



# C A B U C H O N<sup>®</sup>

## B A T H *f*o *r*m s

### BERKELEY CLUB BATH

#### NORMAL WATER REQUIREMENT

216 Litres (48 Imperial Gallons)

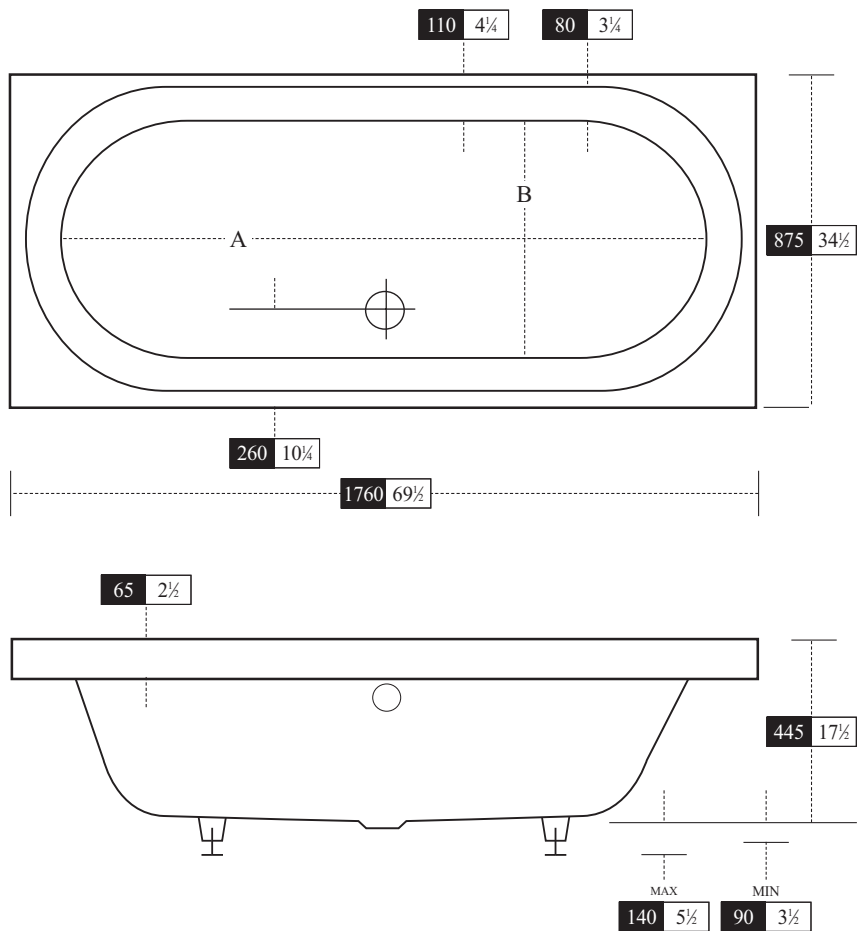
KEY TO SIZES: ■ Millimetres □ Inches to nearest 1/4"

This bath is supplied with only waste & overflow holes drilled in order to allow options on jobsite in the positioning of spouts, taps, handshowers & whirlpool controls. The only rule is good plumbing.

The bath has four screw-adjustable feet allowing an adjustment between 585mm/23" maximum and 545mm/21½" minimum for the total height of the bath. The panel (see overleaf) projects 10mm from the rim of the bath and, if other than a front panel which is the same length as the bath, is L1770mm/69¼" x W885mm/34¼" and H540mm/21¼" if traditional and H490mm/19¼" if plain. All panels are one piece. If used as an Inset bath the weight must be on the feet, not the rim.

Minor changes can be made to length, width or height of baths or panels for additional cost.

All Cabuchon products are registered designs covered by copyright and the Company, being committed to continuous innovation and improvement, reserves the right to change specifications without notice. Tolerances are + or -3mm.



	A	B
Top	1530 60¼"	650 25½"
Bottom	1210 47¼"	500 19¼"