



# C A B U C H O N<sup>®</sup>

## B A T H f o r m s

### IMERSA SOAKING BATH

#### NORMAL WATER REQUIREMENT

Standard - 170 Litres, 37 Imperial Gallons, 44 US Gallons

Large - 200 Litres, 44 Imperial Gallons, 53 US Gallons

KEY TO SIZES: ■ Millimetres □ Inches to nearest 1/4"

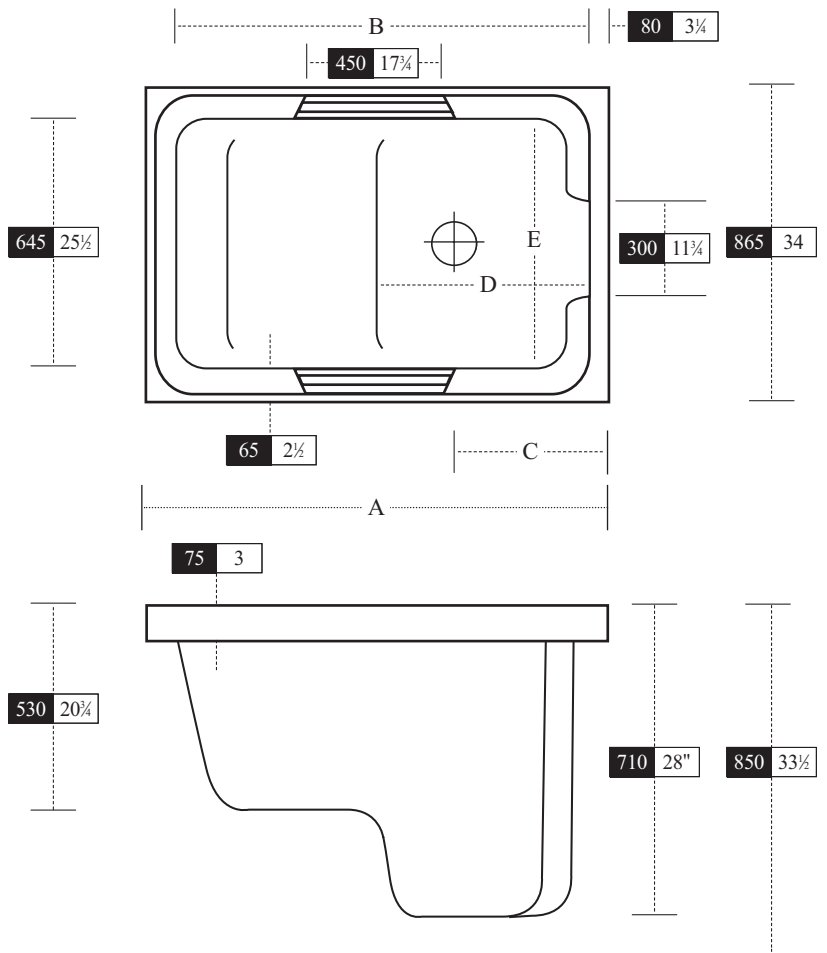
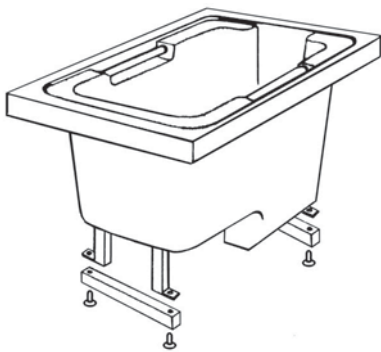
This bath is supplied with only waste & overflow holes drilled in order to allow options on jobsite in the positioning of spouts, taps, handshowers & whirlpool controls. The only rule is good plumbing.

The integral steel chassis has four screw-adjustable feet allowing an adjustment between 885mm/35" maximum and 820mm/32 1/2" minimum. The Imersa requires an extended waste/overflow.

The Imersa needs to be sunk or provided with a step.

Cabuchon does not supply panels because of the wide range of height and width variations.

All Cabuchon products are registered designs covered by copyright and the Company, being committed to continuous innovation and improvement, reserves the right to change specifications without notice. Tolerances are + or - 3mm.



	A	B	C	D	E
Standard	1220	1020	350	400	440
	48	40 1/4	18 1/2	15 3/4	17 1/4
Large	1370	1170	425	480	440
	54	46	20 1/2	19	17 1/4

These baths, turned on their side, will pass through a minimum standard door aperture of 737mm/29".