



# C A B U C H O N<sup>®</sup>

## B A T H *f*o *r*m *s*

### OSBOURNE STANDING BATH

#### NORMAL WATER REQUIREMENT

216 Litres (48 Imperial Gallons)

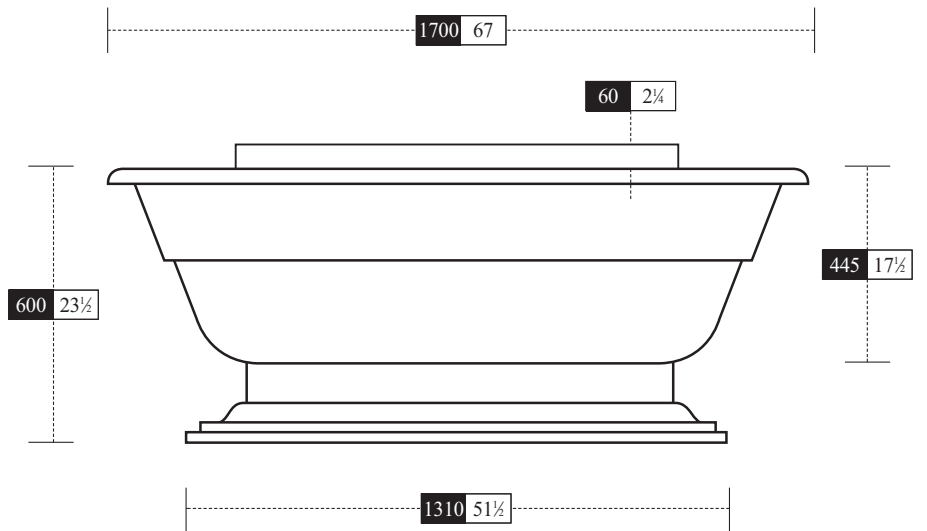
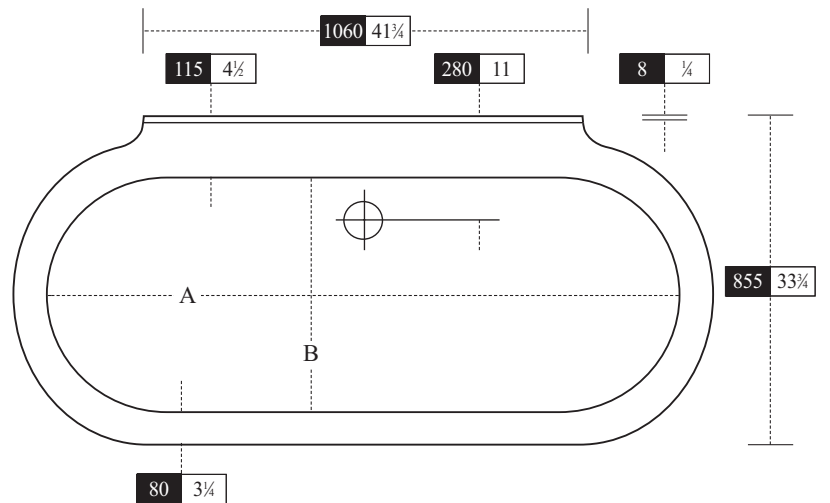
KEY TO SIZES: ■ Millimetres □ Inches to nearest 1/4"

This bath is supplied with only waste & overflow holes drilled in order to allow options on jobsite in the positioning of spouts, taps & handshowers. The only rule is good plumbing.

The bath is supplied with four screw-adjustable feet. The bath can be supplied with or without a tiling flange. Installation instructions for both the bath and the plinth are shown overleaf.

There are a considerable number of colour options available for the Osbourne - see brochure for details.

All Cabuchon products are registered designs covered by copyright and the Company, being committed to continuous innovation and improvement, reserves the right to change specifications without notice.  
Tolerances are + or - 3mm.



	A	B
Top	1530 60 3/4	650 25 1/2
Bottom	1210 47 3/4	500 19 3/4