



# C A B U C H O N<sup>®</sup>

## B A T H f o r m s

### ARCADIA PLAIN INSET/UNDERMOUNT BATHS

These baths are supplied with only waste & overflow holes drilled in order to allow options on jobsite in the positioning of spouts, taps, handshowers & whirlpool controls. The only rule is good plumbing.

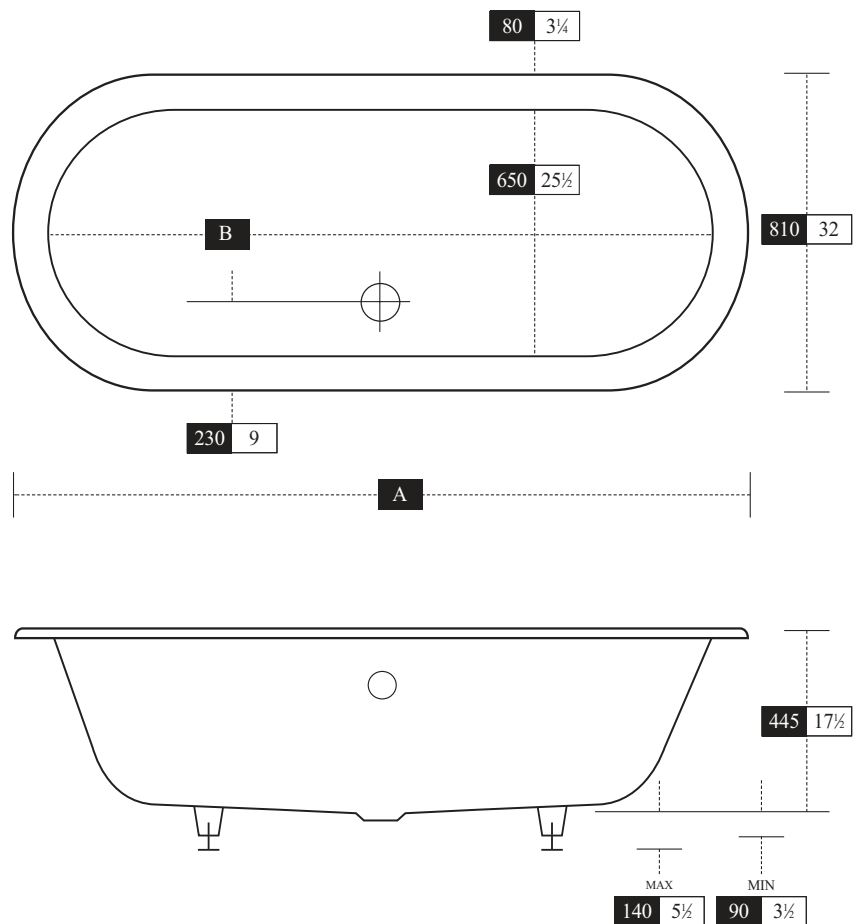
These baths each have four screw adjustable feet allowing a variation in height of 50mm/2". Maximum height of feet is 140mm/5 1/2". Do not support the weight of the bath by its rim on a deck.

All Cabuchon products are registered designs covered by copyright and the Company, being committed to continuous innovation and improvement, reserves the right to change specifications without notice. Tolerances are + or -3mm.

NORMAL WATER REQUIREMENT - SEE BOX BELOW RIGHT

There are two different lengths of baths - for those dimensions that are different, see box below left

KEY TO SIZES: ■ Millimetres □ Inches to nearest 1/4"



BATH NAME	1700	1778
A External Length	1700	1778
	67	70
B Inner Length - Top	1530	1618
	60 1/4	63 3/4
B Inner Length - Bottom	1210	1298
	47 3/4	51

BATH NAME	Litres	Imp. Galls	US Galls
1700	216	48	57
1778	225	50	60