



C A B U C H O N<sup>®</sup>  
B A T H f o r m s

Product page: <https://cabuchon.com/wp-content/uploads/serenity-plus-2-person-bath-specification-sheet.pdf>

Tel.: +44 (0) 1524 66022.

Fax: +44 (0) 1524 844927

E-mail: [info@cabuchon.com](mailto:info@cabuchon.com)

Website: [www.cabuchon.com](http://www.cabuchon.com)

## SERENITY PLUS 2-PERSON BATH

The Serenity Plus is available in a choice of two sizes - the 1700 and 1800. Both models are supplied with only waste & overflow holes drilled in order to allow options on jobsite in the positioning of spouts, taps, hand-showers & whirlpool controls. The only rule is good plumbing.

These baths are usable mounted in a deck or undermounted to a deck. Do not support the weight of the bath by its rim on a deck. The bath has four screw adjustable feet allowing a variation in height of 50mm/2". Maximum height of feet is 140mm/5½".

All Cabuchon products are registered designs covered by copyright and the Company, being committed to continuous innovation and improvement, reserves the right to change specifications without notice. Tolerances are + or -3mm.

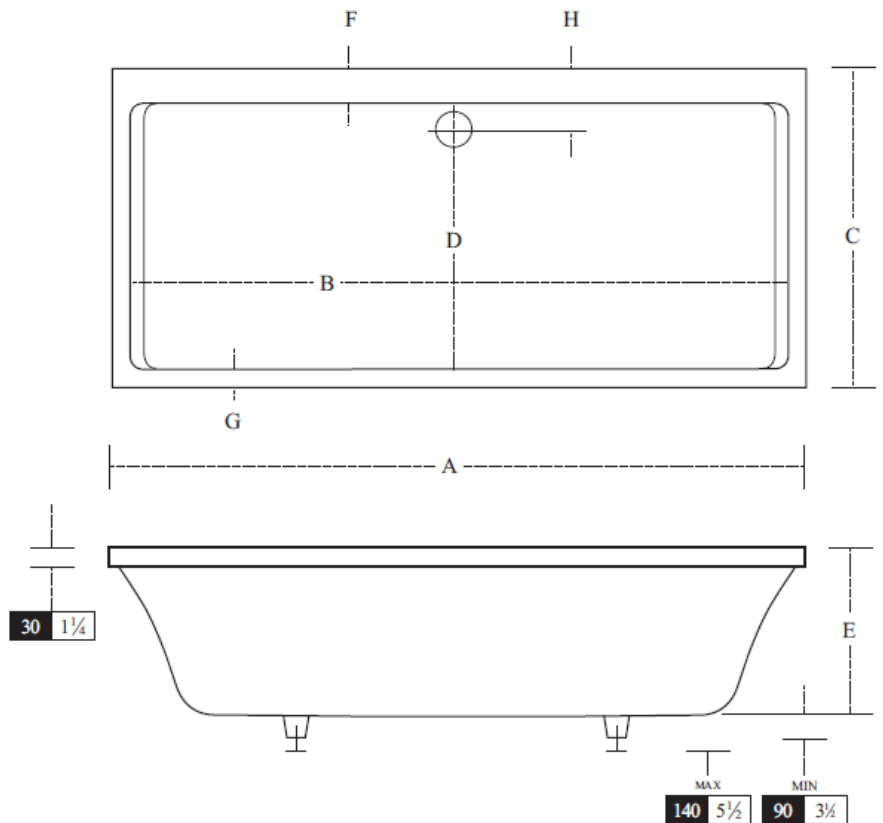
BATH MODEL		1700	1800
A	External Length	1700	1800
		67	71
B	Inner length - Top	1560	1660
		61½	65¼
B	Inner length - Bottom	1050	1120
		41¼	44
C	External Width	1000	1200
		39¾	47¾
D	Internal Width - Top	820	1020
		32¾	40
D	Internal Width - Bottom	720	920
		28¾	36¾
	Head Slope Length	70	75
		2¾	3
E	Depth	480	480
		19	19
F	Rear Rim Width	110	110
		4¼	4¼
G	Other Rims Width	70	70
		2¾	2¾
H	Waste Location from rim exterior	260	210
		10¼	8¼

### NORMAL WATER REQUIREMENT:

1700 Plus model: 377 Litres, 82 Imperial Gallons, 99 US Gallons

1800 Plus model: 489 Litres, 107 Imperial Gallons, 129 US Gallons

KEY TO SIZES:  Millimetres  Inches to nearest 1/4"



Because Serenity baths are primarily inset or undermount, we do not supply standard panels.

If commissioned to do so we can provide bespoke panels - either loose (but in one piece no matter how many sides, to ensure stability and rigidity) or as an integral part of the bath's body - if the objective is to make the bath free standing. This is illustrated on the Cabuchon website.

Whitegate, Lancaster LA3 3BT, England Tel: +44 (0) 1524 66022 Fax: +44 (0) 1524 844927 e-mail: [info@cabuchon.com](mailto:info@cabuchon.com)

Website: [www.cabuchon.com](http://www.cabuchon.com)

Cabuchon is a registered trademark of Design & Form Ltd. Cabuchon Bathforms is a division of Design & Form Ltd.