



C A B U C H O N<sup>®</sup>  
B A T H f o r m s

Product page: <https://www.cabuchon.com/product/xanadu-two-person-deep-soaking-tub/>

Tel.: +44 (0) 1524 66022 Fax: +44 (0) 1524 844927

E-mail: [info@cabuchon.com](mailto:info@cabuchon.com) Website: <https://www.cabuchon.com/>

# XANADU DEEP SOAKING BATH

## Specification Sheet

### Bathing Depth

In well: 500 mm/19<sup>3</sup>/<sub>4</sub>"

At seat: 480 mm/15<sup>3</sup>/<sub>4</sub>"

**Note:** Manufacturing tolerances are + or - 3 mm.

### Measurements:

A: Inner length - top	1560 61 <sup>1</sup> / <sub>2</sub>
B: Inner width - top	1005 39 <sup>1</sup> / <sub>2</sub>
C: Inner length - bottom	1096 43 <sup>1</sup> / <sub>4</sub>
D: Inner width - bottom	870 34 <sup>1</sup> / <sub>4</sub>

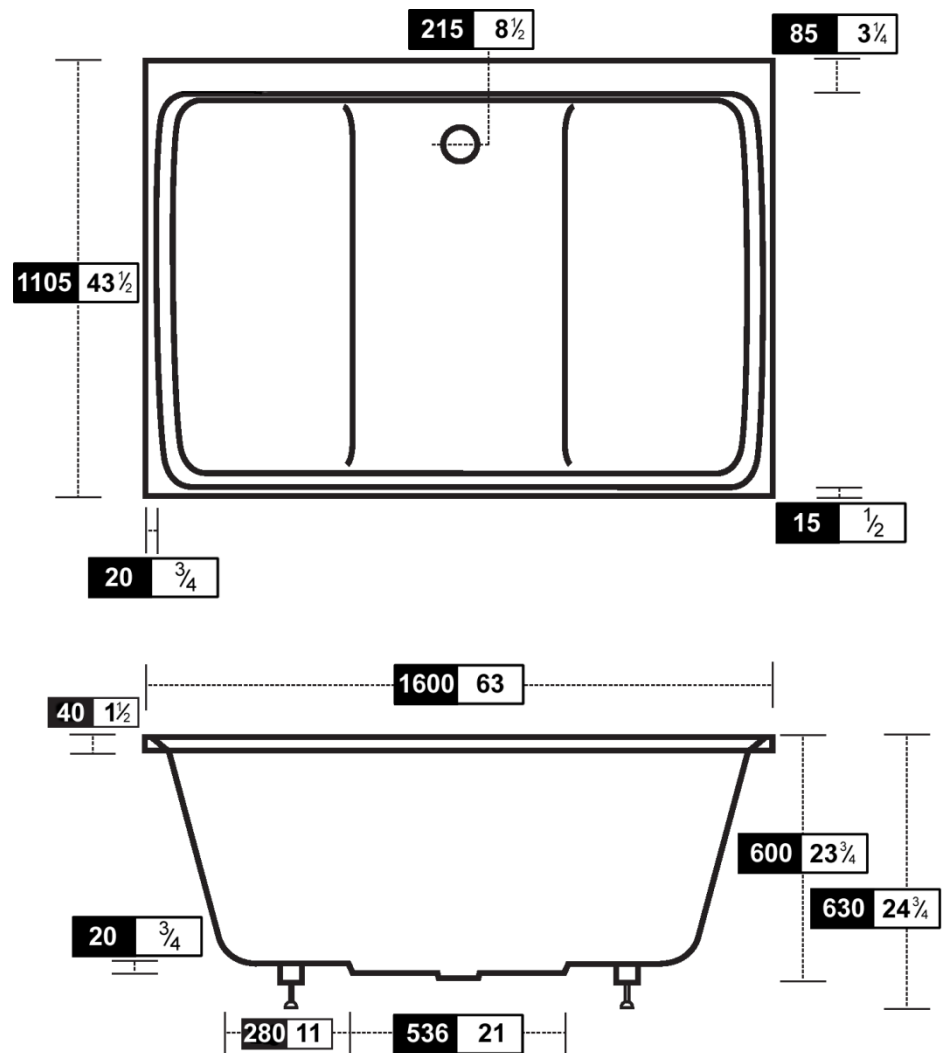
(Continued overleaf.)

### MAXIMUM WATER REQUIREMENT:

590 Litres, 129 Imperial Gallons, 155 US Gallons

WEIGHT: 35 kg/77 lbs (empty). 625 kg/1378 lbs (filled to overflow.)

KEY TO SIZES: ■ Millimetres   Inches to nearest <sup>1</sup>/<sub>4</sub>"



Registered office: Whitegate, Lancaster LA3 3BT, England

Cabuchon is a registered trademark of Design & Form Ltd. Cabuchon Bathforms is a division of Design & Form Ltd.

## **Pre-installation**

There is no difference in practical construction terms and in plumbing between installing a deep soaking tub and a standard bathtub. The only rule is good plumbing. However, the differences in terms of the space required need more forethought. Each of our deep soaking tubs, turned on its side, will pass through a standard door of 29"/ 737mm. It may be necessary otherwise to remove the door's side panels or architraves, to make a wider gap. However, one of the major properties of our Ficore® composite, from which we build our baths, is that, to a small degree, it permits us to modify the external dimensions of a rectangular bath by building it with narrower or wider rims. You are not therefore tied to the exact dimensions on the specification sheet. For more details, please see <https://www.cabuchon.com/faqs/>.

## **Installation**

The Xanadu can be installed sunken or semi sunken into a deck, or inset (drop-in), undermounted, or free standing with panels. Installation photographs can be found on the Xanadu web page. Additionally, there are other photographs, kindly sent to us by clients, which can be seen in our 'What Our Customers Say' section.

The Xanadu integral steel chassis has four screw adjustable feet which allow a height adjustment of between 730mm/28<sup>3</sup>/<sub>4</sub>" maximum and 660mm/26<sup>3</sup>/<sub>4</sub>" minimum.

## **External Step**

The Xanadu does not require an external step although one can, of course, be used if the customer so wishes. If so, then its dimensions should be chosen to suit the user's individual requirements.

## **Panels**

We do not supply panels as standard because there are many possible styles and variations available to suit different décors. However, we are happy to do so on a bespoke basis. Panels are fabricated in Ficore® and they can be supplied either loose or integral to the bath. If the former, then for reasons of security and stability, they are supplied in one piece - no matter how many sides are required.

## **Hydrotherapy Systems**

The Xanadu deep soaking tub was designed to be fitted with one of our optional hydrotherapy systems, in order to deliver an even greater degree of pleasure and comfort, and also to act as an aid to health. For details, specifications and illustrations, please refer to the Hydrotherapy section of our website. See: <https://www.cabuchon.com/hydrotherapy/>.

## **Waste/Overflow**

Due to its greater depth, the Xanadu requires an extended waste/overflow - meaning that it requires a longer than standard cable to operate the plug. We ship the bathtub with waste and overflow holes drilled; located as specified by the codes and regulations of the country where the bathtub is to be installed. These permit the overflow hole to be located facing the seated bather, or in the left or right hand walls of the well. We do not undertake to ship a bathtub with other predrilled holes. These should all be drilled on site to avoid possible miscommunication and error.

Note: We keep a small stock of combined filler/overflows, which remove the need for a spout.

## **Grab Bars**

The bathtub is strong enough to take the fitting of grab bars of any shape and size, at any location. Again, we recommend that these are only fitted on site after the user has had the opportunity to trial it *in situ*.

## **Copyright Design**

The Xanadu is a registered design of the company and is covered by copyright. The company, being committed to continuous innovation and improvement, reserves the right to change product specifications without notice.

**Registered office: Whitegate, Lancaster LA3 3BT, England**

*Cabuchon is a registered trademark of Design & Form Ltd. Cabuchon Bathforms is a division of Design & Form Ltd.*